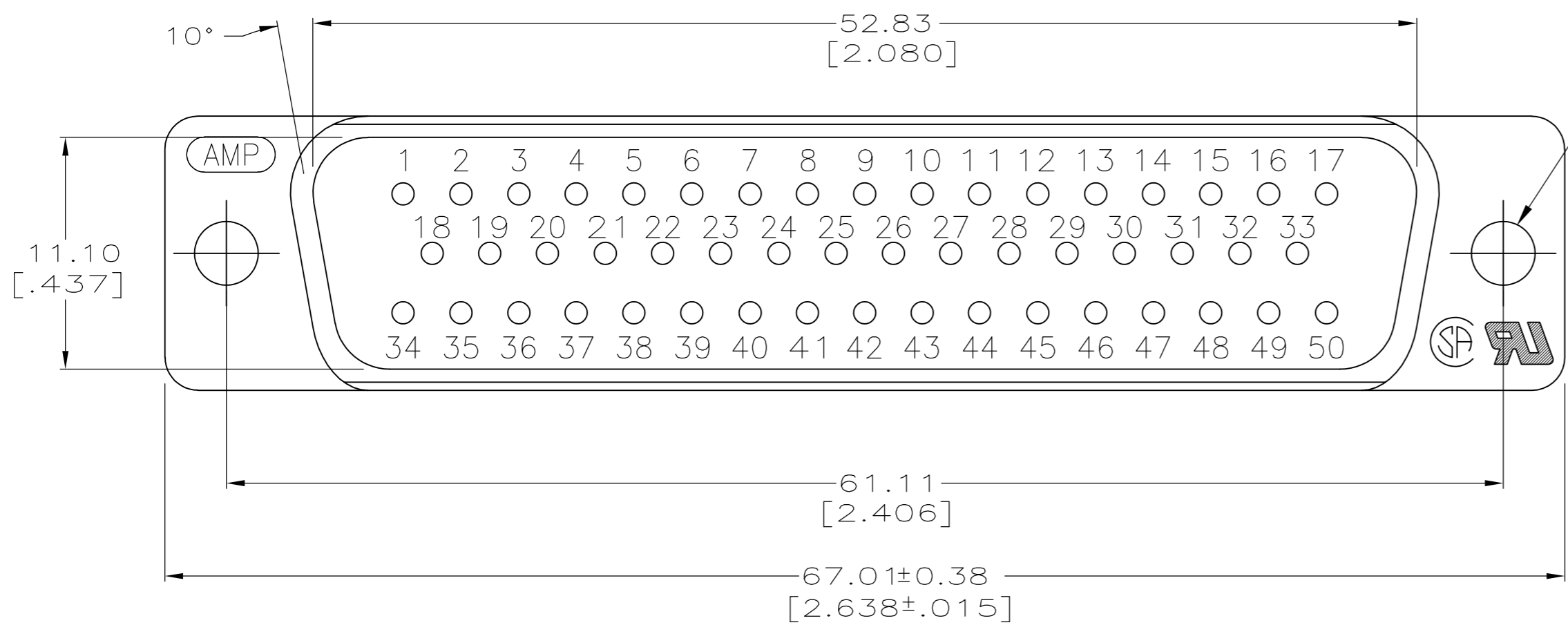
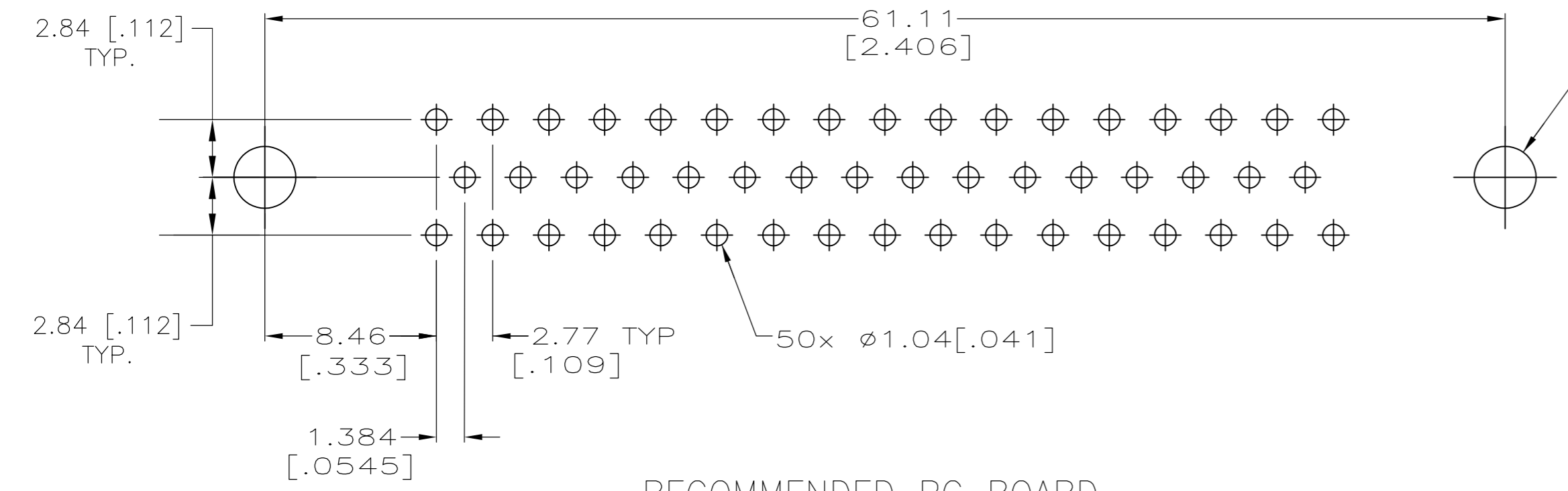
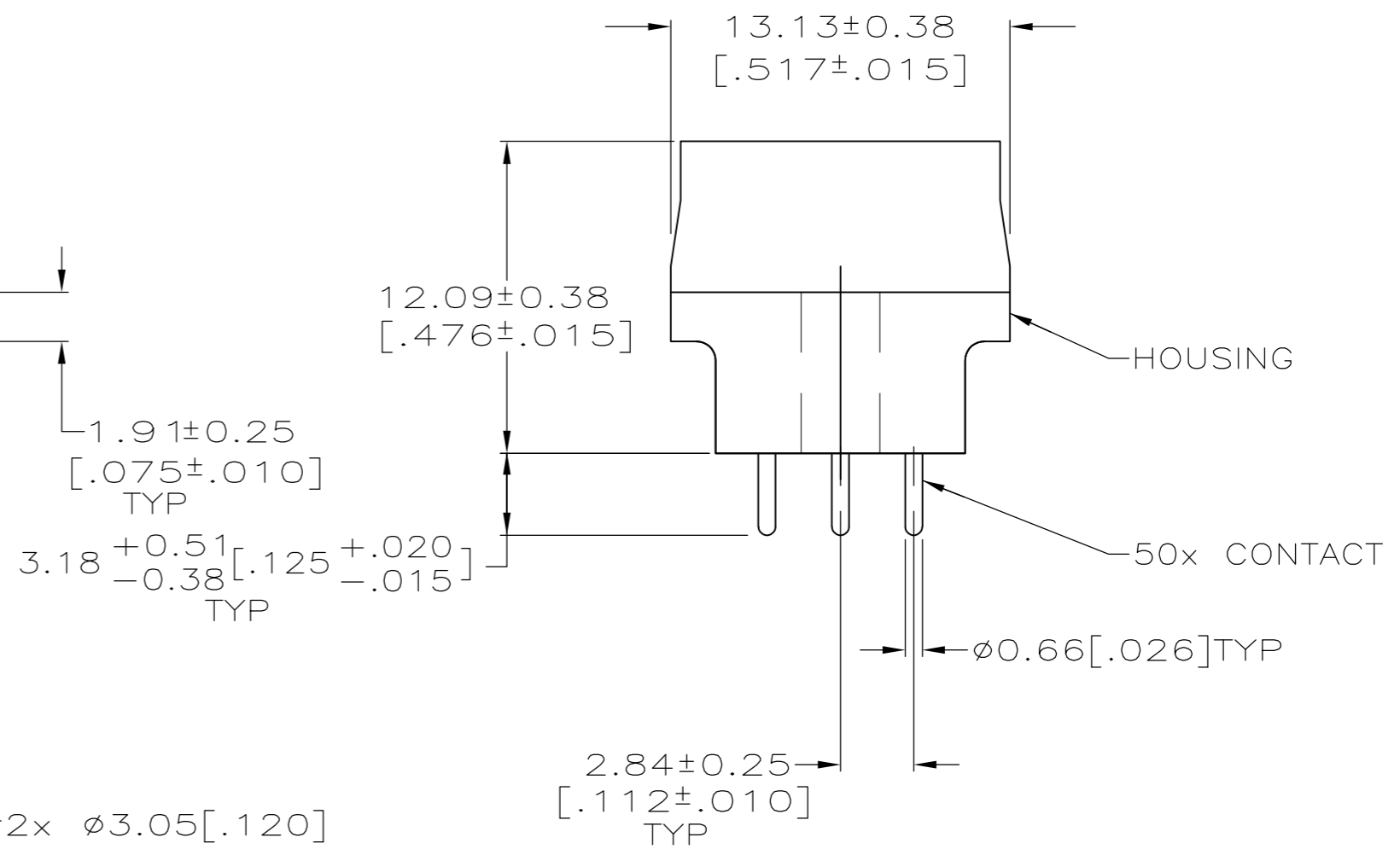
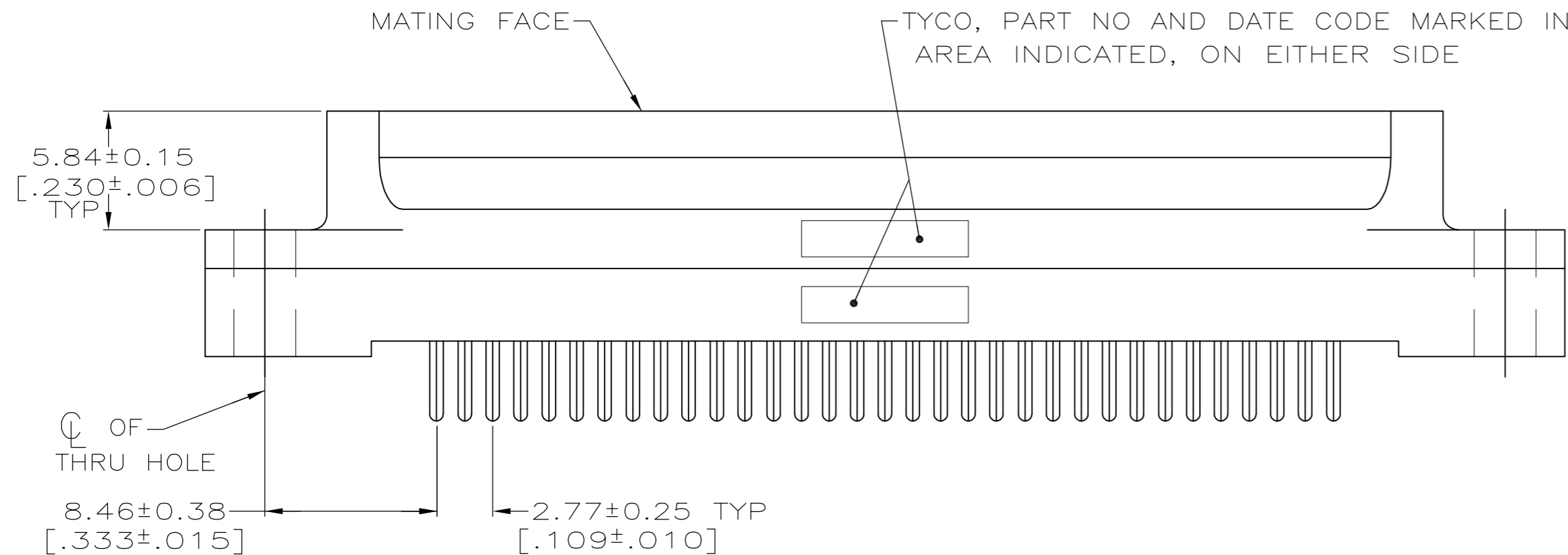


THIS DRAWING IS UNPUBLISHED. RELEASED FOR PUBLICATION
 © COPYRIGHT BY TYCO ELECTRONICS CORPORATION. ALL RIGHTS RESERVED.

LOC		DIST		REVISIONS			
P	LTR	DESCRIPTION	DATE	DWN	APVD		
GP	00	B	REVISED PER ECO-09-028093	29JAN2010	CR	SB	



- ① HOUSING: BLACK POLYESTER, UL 94V-0 RATED; CONTACTS: BRASS
- ② GOLD PLATED FOR LENGTH OF 3.81 [.150] MIN FROM MATING END, 0.76µm [.000030] MIN GOLD IN MATED AREA, 2.54µm [.000100] MIN TIN ON SOLDER END, BOTH OVER 1.27µm [.000050] MIN NICKEL.
OR
GOLD FLASH OVER PALLADIUM NICKEL PLATED FOR LENGTH OF 3.81 [.150] MIN FROM MATING END, 0.76µm [.000030] MIN PALLADIUM NICKEL IN MATED AREA, 2.54µm [.000100] MIN TIN ON SOLDER END, BOTH OVER 1.27µm [.000050] MIN NICKEL.



RECOMMENDED PC BOARD MOUNTING DIMENSIONS

5208010-2
PART NO

THIS DRAWING IS A CONTROLLED DOCUMENT.		DWN G.PETERS 12SEP05	Tyco Electronics Corporation Harrisburg, PA 17105-3608	
DIMENSIONS: mm [INCHES]		CHK S.BOLASH 12SEP05	NAME M.WALMSLEY	
TOLERANCES UNLESS OTHERWISE SPECIFIED:		APVD M.WALMSLEY 12SEP05	PRODUCT SPEC 108-40025	
0 PLC ± -	1 PLC ± -	APPLICATION SPEC -		
2 PLC ± 0.13 [.005]	3 PLC ± -	WEIGHT -		
4 PLC ± -	ANGLES ± 2°	SIZE A2 CAGE CODE 00779 C=5208010		
MATERIAL ①	FINISH ②	DRAWING NO 5208010		
CUSTOMER DRAWING		RESTRICTED TO -		
		SCALE 4:1	SHEET 1 of 1	REV B